

Adjustable hand levers

Zinc die casting,
Bushing / Threaded bolt Steel zinc plated

SPECIFICATION

Handle

Zinc die casting

Plastic coated

black, RAL 9005, textured finish **SW**

orange, RAL 2004, textured finish **OS**

red, RAL 3000, textured finish **RS**

silver, RAL 9006, textured finish **SR**

chrome-plated **CR**

uncoated, slide grinded **RH**

Version with bushing

Bushing and retaining screw

Steel

zinc plated, blue passivated

Version with threaded stud

Threaded stud and retaining screw

Steel

zinc plated, blue passivated



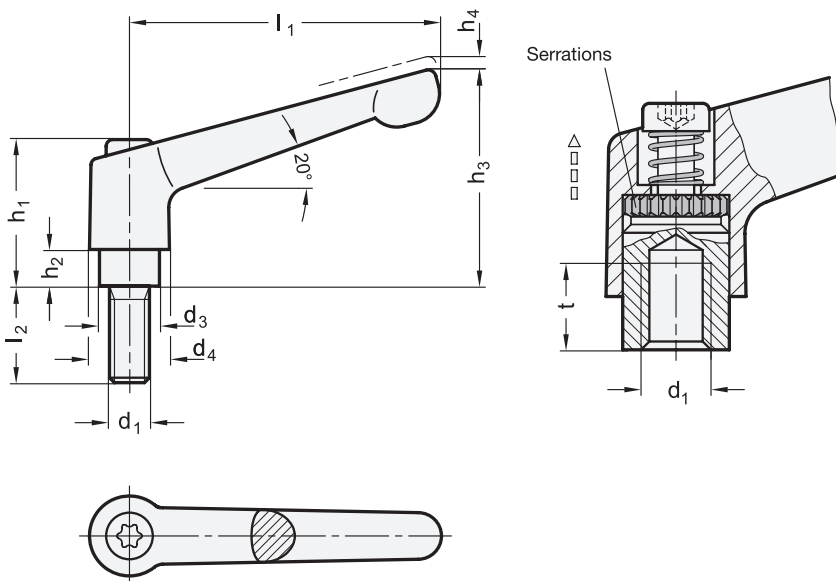
INFORMATION

Adjustable hand levers GN 300.2 are ideal whenever parts have to be clamped in a confined space or in a particular lever position. The centre insert is connected to the lever via serrations which can easily be disengaged.

Pulling the lever, disengages the serrations and allowing it to be swivelled to the ideal clamping position. On releasing the lever the serrations automatically re-engage.

TECHNICAL INFORMATION

- ISO-Fundamental Tolerances (see page A21)




1
2
3
4
5
6
7
8
9
10
11
12
13
14
15
16
17
18
19
20
3
Clamping levers


* Complete with colour index of the clamping lever body (SW, OS, RS, SR, CR or RH)

SW RAL9005
 OS RAL2004
 RS RAL3000
 SR RAL9006
 CR chrome-plated
 RH uncoated

GN 300.2-with bushing

Description	l1	d1	d3	d4	h1	h2	h3	h4	t min.	
GN 300.2-22-M3-*	22	M3	8	10.5	18.5	2	23	3	5	13
GN 300.2-22-M4-*	22	M4	8	10.5	18.5	2	23	3	5	12
GN 300.2-22-M5-*	22	M5	8	10.5	18.5	2	23	3	5	12
GN 300.2-30-M4-*	30	M4	10	13	24.5	4	31	3.5	9	30
GN 300.2-30-M5-*	30	M5	10	13	24.5	4	31	3.5	9	29
GN 300.2-30-M6-*	30	M6	10	13	24.5	4	31	3.5	9	30
GN 300.2-45-M4-*	45	M4	10	13	24.5	4	34	3.5	9	34
GN 300.2-45-M5-*	45	M5	10	13	24.5	4	34	3.5	9	33
GN 300.2-45-M6-*	45	M6	10	13	24.5	4	34	3.5	9	34
GN 300.2-63-M6-*	63	M6	13.5	17.5	31	6.5	45	4	11	76
GN 300.2-63-M8-*	63	M8	13.5	17.5	31	6.5	45	4	11	74
GN 300.2-78-M8-*	78	M8	16	21	36	8	54	4	14	123
GN 300.2-78-M10-*	78	M10	16	21	36	8	54	4	14	120
GN 300.2-92-M10-*	92	M10	19	24	43	11	64	4	17	186
GN 300.2-92-M12-*	92	M12	19	24	43	11	64	4	17	180
GN 300.2-108-M12-*	108	M12	23	30	50.5	12	75	5	22	305
GN 300.2-108-M16-*	108	M16	23	30	50.5	12	75	5	22	288

GN 300.2-with threaded stud

Description	l1	d1	l2	d3	d4	h1	h2	h3	h4	
GN 300.2-22-M3-6-*	22	M3	6	8	10.5	18.5	2	23	3	13
GN 300.2-22-M3-8-*	22	M3	8	8	10.5	18.5	2	23	3	13
GN 300.2-22-M3-10-*	22	M3	10	8	10.5	18.5	2	23	3	14
GN 300.2-22-M3-12-*	22	M3	12	8	10.5	18.5	2	23	3	14
GN 300.2-22-M3-16-*	22	M3	16	8	10.5	18.5	2	23	3	14
GN 300.2-22-M4-12-*	22	M4	12	8	10.5	18.5	2	23	3	14
GN 300.2-22-M5-12-*	22	M5	12	8	10.5	18.5	2	23	3	14
GN 300.2-22-M4-16-*	22	M4	16	8	10.5	18.5	2	23	3	14
GN 300.2-22-M5-16-*	22	M5	16	8	10.5	18.5	2	23	3	15
GN 300.2-22-M4-20-*	22	M4	20	8	10.5	18.5	2	23	3	14
GN 300.2-22-M5-20-*	22	M5	20	8	10.5	18.5	2	23	3	13
GN 300.2-22-M4-25-*	22	M4	25	8	10.5	18.5	2	23	3	14
GN 300.2-22-M5-25-*	22	M5	25	8	10.5	18.5	2	23	3	16
GN 300.2-22-M4-32-*	22	M4	32	8	10.5	18.5	2	23	3	15
GN 300.2-22-M5-32-*	22	M5	32	8	10.5	18.5	2	23	3	17
GN 300.2-30-M4-12-*	30	M4	12	10	13	24.5	4	31	3.5	32
GN 300.2-30-M4-16-*	30	M4	16	10	13	24.5	4	31	3.5	32
GN 300.2-30-M4-20-*	30	M4	20	10	13	24.5	4	31	3.5	32
GN 300.2-30-M4-25-*	30	M4	25	10	13	24.5	4	31	3.5	32
GN 300.2-30-M4-32-*	30	M4	32	10	13	24.5	4	31	3.5	33
GN 300.2-30-M5-12-*	30	M5	12	10	13	24.5	4	31	3.5	32
GN 300.2-30-M5-16-*	30	M5	16	10	13	24.5	4	31	3.5	30
GN 300.2-30-M5-20-*	30	M5	20	10	13	24.5	4	31	3.5	33
GN 300.2-30-M5-25-*	30	M5	25	10	13	24.5	4	31	3.5	34
GN 300.2-30-M5-32-*	30	M5	32	10	13	24.5	4	31	3.5	34
GN 300.2-30-M5-40-*	30	M5	40	10	13	24.5	4	31	3.5	35
GN 300.2-30-M5-50-*	30	M5	50	10	13	24.5	4	31	3.5	37
GN 300.2-30-M6-12-*	30	M6	12	10	13	24.5	4	31	3.5	33
GN 300.2-30-M6-16-*	30	M6	16	10	13	24.5	4	31	3.5	34
GN 300.2-30-M6-20-*	30	M6	20	10	13	24.5	4	31	3.5	34
GN 300.2-30-M6-25-*	30	M6	25	10	13	24.5	4	31	3.5	35
GN 300.2-30-M6-32-*	30	M6	32	10	13	24.5	4	31	3.5	36
GN 300.2-30-M6-40-*	30	M6	40	10	13	24.5	4	31	3.5	37
GN 300.2-30-M6-50-*	30	M6	50	10	13	24.5	4	31	3.5	39





GN 300.2-with threaded stud

Description	l1	d1	l2	d3	d4	h1	h2	h3	h4	⚖️
GN 300.2-45-M4-12.*	45	M4	12	10	13	24.5	4	34	3.5	37
GN 300.2-45-M4-16.*	45	M4	16	10	13	24.5	4	34	3.5	36
GN 300.2-45-M4-20.*	45	M4	20	10	13	24.5	4	34	3.5	35
GN 300.2-45-M4-25.*	45	M4	25	10	13	24.5	4	34	3.5	37
GN 300.2-45-M4-32.*	45	M4	32	10	13	24.5	4	34	3.5	37
GN 300.2-45-M5-12.*	45	M5	12	10	13	24.5	4	34	3.5	35
GN 300.2-45-M6-12.*	45	M6	12	10	13	24.5	4	34	3.5	37
GN 300.2-45-M5-16.*	45	M5	16	10	13	24.5	4	34	3.5	36
GN 300.2-45-M6-16.*	45	M6	16	10	13	24.5	4	34	3.5	38
GN 300.2-45-M5-20.*	45	M5	20	10	13	24.5	4	34	3.5	37
GN 300.2-45-M6-20.*	45	M6	20	10	13	24.5	4	34	3.5	39
GN 300.2-45-M5-25.*	45	M5	25	10	13	24.5	4	34	3.5	38
GN 300.2-45-M6-25.*	45	M6	25	10	13	24.5	4	34	3.5	39
GN 300.2-45-M5-32.*	45	M5	32	10	13	24.5	4	34	3.5	38
GN 300.2-45-M6-32.*	45	M6	32	10	13	24.5	4	34	3.5	40
GN 300.2-45-M5-40.*	45	M5	40	10	13	24.5	4	34	3.5	39
GN 300.2-45-M6-40.*	45	M6	40	10	13	24.5	4	34	3.5	41
GN 300.2-45-M5-50.*	45	M5	50	10	13	24.5	4	34	3.5	41
GN 300.2-45-M6-50.*	45	M6	50	10	13	24.5	4	34	3.5	43
GN 300.2-63-M6-16.*	63	M6	16	13.5	17.5	31	6.5	45	4	80
GN 300.2-63-M8-16.*	63	M8	16	13.5	17.5	31	6.5	45	4	83
GN 300.2-63-M6-20.*	63	M6	20	13.5	17.5	31	6.5	45	4	82
GN 300.2-63-M8-20.*	63	M8	20	13.5	17.5	31	6.5	45	4	84
GN 300.2-63-M6-25.*	63	M6	25	13.5	17.5	31	6.5	45	4	83
GN 300.2-63-M8-25.*	63	M8	25	13.5	17.5	31	6.5	45	4	86
GN 300.2-63-M6-32.*	63	M6	32	13.5	17.5	31	6.5	45	4	83
GN 300.2-63-M8-32.*	63	M8	32	13.5	17.5	31	6.5	45	4	88
GN 300.2-63-M6-40.*	63	M6	40	13.5	17.5	31	6.5	45	4	84
GN 300.2-63-M8-40.*	63	M8	40	13.5	17.5	31	6.5	45	4	90
GN 300.2-63-M6-50.*	63	M6	50	13.5	17.5	31	6.5	45	4	87
GN 300.2-63-M8-50.*	63	M8	50	13.5	17.5	31	6.5	45	4	94
GN 300.2-63-M6-63.*	63	M6	63	13.5	17.5	31	6.5	45	4	89
GN 300.2-63-M8-63.*	63	M8	63	13.5	17.5	31	6.5	45	4	98
GN 300.2-78-M8-20.*	78	M8	20	16	21	36	8	54	4	127
GN 300.2-78-M10-20.*	78	M10	20	16	21	36	8	54	4	138
GN 300.2-78-M8-25.*	78	M8	25	16	21	36	8	54	4	135
GN 300.2-78-M10-25.*	78	M10	25	16	21	36	8	54	4	140
GN 300.2-78-M8-32.*	78	M8	32	16	21	36	8	54	4	137
GN 300.2-78-M10-32.*	78	M10	32	16	21	36	8	54	4	175
GN 300.2-78-M8-40.*	78	M8	40	16	21	36	8	54	4	140
GN 300.2-78-M10-40.*	78	M10	40	16	21	36	8	54	4	148
GN 300.2-78-M8-50.*	78	M8	50	16	21	36	8	54	4	143
GN 300.2-78-M10-50.*	78	M10	50	16	21	36	8	54	4	152
GN 300.2-78-M8-63.*	78	M8	63	16	21	36	8	54	4	147
GN 300.2-78-M10-63.*	78	M10	63	16	21	36	8	54	4	160
GN 300.2-78-M8-80.*	78	M8	80	16	21	36	8	54	4	153
GN 300.2-78-M10-80.*	78	M10	80	16	21	36	8	54	4	167
GN 300.2-92-M10-20.*	92	M10	20	19	24	43	11	64	4	205
GN 300.2-92-M12-20.*	92	M12	20	19	24	43	11	64	4	209
GN 300.2-92-M10-25.*	92	M10	25	19	24	43	11	64	4	207
GN 300.2-92-M12-25.*	92	M12	25	19	24	43	11	64	4	214
GN 300.2-92-M10-32.*	92	M10	32	19	24	43	11	64	4	211
GN 300.2-92-M12-32.*	92	M12	32	19	24	43	11	64	4	218
GN 300.2-92-M10-40.*	92	M10	40	19	24	43	11	64	4	212
GN 300.2-92-M12-40.*	92	M12	40	19	24	43	11	64	4	223
GN 300.2-92-M10-50.*	92	M10	50	19	24	43	11	64	4	223
GN 300.2-92-M12-50.*	92	M12	50	19	24	43	11	64	4	231
GN 300.2-92-M10-63.*	92	M10	63	19	24	43	11	64	4	226
GN 300.2-92-M12-63.*	92	M12	63	19	24	43	11	64	4	240
GN 300.2-92-M10-80.*	92	M10	80	19	24	43	11	64	4	234
GN 300.2-92-M12-80.*	92	M12	80	19	24	43	11	64	4	252
GN 300.2-108-M16-32.*	108	M16	32	23	30	50.5	12	75	5	364
GN 300.2-108-M16-40.*	108	M16	40	23	30	50.5	12	75	5	375
GN 300.2-108-M16-50.*	108	M16	50	23	30	50.5	12	75	5	388
GN 300.2-108-M16-63.*	108	M16	63	23	30	50.5	12	75	5	405
GN 300.2-108-M16-80.*	108	M16	80	23	30	50.5	12	75	5	413

Clamping levers 3